

Solar Frontier Europe GmbH

**Planning guide for the configuration of  
“PowerSet Maxi” with SF170-S modules and  
Kostal PIKO inverters**

**Planungsleitfaden zur Auslegung von  
„PowerSet Maxi“ mit SF170-S Modulen und  
Kostal PIKO Wechselrichtern**

**Guida per la configurazione ed installazione dei  
"PowerSet Maxi" con moduli SF170-S e  
inverter Kostal PIKO**

**Planningsgids voor uitleg over  
„PowerSet Maxi“ met SF170-S modules en  
Kostal PIKO-omvormers**

ENGLISH

DEUTSCH

ITALIANO

NEDERLANDS

# Contents

<b>1. Introduction</b>	<b>2</b>
<b>2. General information</b>	<b>2</b>
2.1 Module	2
2.2 Inverter	2
2.3 Cables and plug connectors	2
<b>3. Overview of the recommended connections for PowerSet Maxi</b>	<b>3</b>
<b>4. Further connection options</b>	<b>3</b>
<b>5. Installation of the strings with Y-cable, plug connectors and extension</b>	<b>5</b>
<b>6. Exclusion of liability</b>	<b>5</b>

## 1. Introduction

This planning guide will help you to configure your Kostal PIKO inverter with the SF170-S PowerModules. Please note the information provided in the following, in order to enable configuration on complex roof forms and remain flexible. The most important technical data of the inverter, module and cable is described, all the permissible configurations are listed and the correct use of the Y-cables and the plug connectors is explained to facilitate planning.

## 2. General information

The limiting technical specifications of the components are described in this point. They refer to the SF170-S Module and the PIKO 4.6, PIKO 5.5, PIKO 7.0 and PIKO 8.5 inverters from Kostal.

### 2.1 Module

The number of modules per string (serial) as well as the strings connected in parallel must be considered when connecting the modules. The modules per string define the voltage of the overall string. This voltage must be able to reach the minimum MPP voltage of the selected inverter under operating conditions. As a general principle, the open-circuit voltage may not exceed the 1,000V system voltage.

The parallel strings on an MPP input must always have the same number of modules in series. Different string voltages result if the number of modules in series differs. Only one voltage is generated in a parallel connection of two (or more) strings. This means that both strings (each with a different number of modules in series) cannot be operated with the optimum performance and may even be permanently damaged by undesired reverse currents.

### 2.2 Inverter

The inverters have two MPP inputs which operate independently and may be configured asymmetrically. The limiting parameters are the minimum and maximum values for current and voltage. These are listed for the inverters used in Table 1 below:

		<b>PIKO 4.6</b>	<b>PIKO 5.5</b>	<b>PIKO 7.0</b>	<b>PIKO 8.5</b>
Inverter power rating (AC)	$P_{AC}$	4.6 kW	5.5 kW	7.0 kW	8.5 kW
Minimum MPP voltage for DC power rating in two-tracker operation (UMPPmin)	$U_{MPPmin}$	265 V	265 V	330 V	400 V
Maximum MPP voltage	$U_{MPPmax}$	800 V			
Maximum input voltage	$U_{DCmax}$	1000 V			
Maximum input current per MPP input	$I_{DCmax}$	11 A			

**Table 1: PIKO inverters**

The following can be deduced from the technical data as per Table 1 and that of the SF170-S modules:

- At least 4 modules in series are required for PIKO 4.6 and PIKO 5.5 to reach the minimum MPP voltage.
- At least 5 modules in series are required for PIKO 7.0 to reach the minimum MPP voltage.
- At least 6 modules in series are required for PIKO 8.5 to reach the minimum MPP voltage.
- The upper limit is 7 modules per string, since the 1,000 V limit could otherwise be exceeded. 8 modules per string may be used in certain regions, please clarify this with Solar Frontier beforehand.
- A maximum of 5 strings may be connected in parallel, since the maximum current of 11 A per MPP input could otherwise be exceeded.

In addition to this, it is recommended that the inverter is operated with a maximum DC/AC power ratio of 1.20, in order to keep the losses arising from power limitation as low as possible. At the same time, the inverters should be configured with sufficient DC power, in order to operate the system in the high efficiency range of the PIKO inverters as far as possible. Refer to the efficiency curves of the PIKO inverters in the respective data sheet.

### 2.3 Cables and plug connectors

The modules and the Y-cables are provided with plug connectors of Hosiden (MC-4, plug-in). The Hosiden plug connectors supplied by Solar Frontier in the PowerSet Maxi should be used for cable extensions on the modules and Y-cables. Maximum plug compatibility in the system is thereby guaranteed. The PIKO inverters are provided with plug connectors of Multi-Contact and come complete with a DC connector pair from Multi-Contact for each DC input.

The cable cross-section is 6 mm<sup>2</sup> on the Y-cable and 4 mm<sup>2</sup> on the module. A cross-section between 4mm<sup>2</sup> and 6mm<sup>2</sup> is recommended for the extensions. You will find a typical cable installation in Chapter 5.

It is essential that crimping tools have the appropriate inserts and have been approved by the manufacturer, in order to guarantee that compression on the Multicontact and Hosiden plug connectors is in accordance with the standards. Hosiden crimping tools are available from Solar Frontier.

### 3. Overview of the recommended connections for PowerSet Maxi

The connections for PowerSet Maxi recommended by Solar Frontier can be found in Table 2 below. The table shows the components which these PowerSets consist of. Solar Frontier supplies the PowerSets with the components listed below as standard. Other connection variants are possible and are shown in Chapter 4. However, these demand a different configuration of the MPP inputs and a higher number of Y-cables.

PowerSet	Power	Modules (SF170-S)	MPP input 1 (Modules in series x modules in parallel)	MPP input 2 (Modules in series x modules in parallel)	Inverter	Y-cable	Connector + Socket	Item number
PowerSet Maxi 4.8-170-3p	4.76 kWp	28	7 x 2	7 x 2	1 x Kostal PIKO 4.6	2 (+) & 2 (-)	6 + 6	SET22001
PowerSet Maxi 4.9-170-3p	4.93 kWp	29	7 x 2	5 x 3	1 x Kostal PIKO 4.6	3 (+) & 3 (-)	6 + 6	SET22002
PowerSet Maxi 5.1-170-3p	5.10 kWp	30	6 x 3	6 x 2	1 x Kostal PIKO 4.6	3 (+) & 3 (-)	6 + 6	SET22003
PowerSet Maxi 5.3-170-3p	5.27 kWp	31	7 x 1	6 x 4	1 x Kostal PIKO 4.6	3 (+) & 3 (-)	6 + 6	SET22004
PowerSet Maxi 5.4-170-3p	5.44 kWp	32	7 x 2	6 x 3	1 x Kostal PIKO 4.6	3 (+) & 3 (-)	6 + 6	SET22005
PowerSet Maxi 5.6-170-3p	5.61 kWp	33	7 x 3	6 x 2	1 x Kostal PIKO 5.5	3 (+) & 3 (-)	6 + 6	SET22006
PowerSet Maxi 5.8-170-3p	5.78 kWp	34	7 x 4	6 x 1	1 x Kostal PIKO 5.5	3 (+) & 3 (-)	6 + 6	SET22007
PowerSet Maxi 6.0-170-3p	5.95 kWp	35	7 x 3	7 x 2	1 x Kostal PIKO 5.5	3 (+) & 3 (-)	6 + 6	SET22008
PowerSet Maxi 6.1-170-3p	6.12 kWp	36	6 x 4	6 x 2	1 x Kostal PIKO 5.5	4 (+) & 4 (-)	6 + 6	SET22009
PowerSet Maxi 6.3-170-3p	6.29 kWp	37	7 x 1	6 x 5	1 x Kostal PIKO 5.5	4 (+) & 4 (-)	6 + 6	SET22010
PowerSet Maxi 6.5-170-3p	6.46 kWp	38	7 x 2	6 x 4	1 x Kostal PIKO 5.5	4 (+) & 4 (-)	6 + 6	SET22011
PowerSet Maxi 6.6-170-3p	6.63 kWp	39	7 x 3	6 x 3	1 x Kostal PIKO 5.5	4 (+) & 4 (-)	6 + 6	SET22012
PowerSet Maxi 6.8-170-3p	6.80 kWp	40	7 x 4	6 x 2	1 x Kostal PIKO 5.5	4 (+) & 4 (-)	6 + 6	SET22013
PowerSet Maxi 7.0-170-3p	6.97 kWp	41	7 x 5	6 x 1	1 x Kostal PIKO 7.0	4 (+) & 4 (-)	6 + 6	SET22014
PowerSet Maxi 7.1-170-3p	7.14 kWp	42	7 x 3	7 x 3	1 x Kostal PIKO 7.0	4 (+) & 4 (-)	6 + 6	SET22015
PowerSet Maxi 7.3-170-3p	7.31 kWp	43	7 x 4	5 x 3	1 x Kostal PIKO 7.0	5 (+) & 5 (-)	9 + 9	SET22016
PowerSet Maxi 7.5-170-3p	7.48 kWp	44	7 x 2	6 x 5	1 x Kostal PIKO 7.0	5 (+) & 5 (-)	9 + 9	SET22017
PowerSet Maxi 7.7-170-3p	7.65 kWp	45	7 x 3	6 x 4	1 x Kostal PIKO 7.0	5 (+) & 5 (-)	9 + 9	SET22018
PowerSet Maxi 7.8-170-3p	7.82 kWp	46	7 x 4	6 x 3	1 x Kostal PIKO 7.0	5 (+) & 5 (-)	9 + 9	SET22019
PowerSet Maxi 8.0-170-3p	7.99 kWp	47	7 x 5	6 x 2	1 x Kostal PIKO 7.0	5 (+) & 5 (-)	9 + 9	SET22020
PowerSet Maxi 8.2-170-3p	8.16 kWp	48	6 x 4	6 x 4	1 x Kostal PIKO 7.0	6 (+) & 6 (-)	12 + 12	SET22021
PowerSet Maxi 8.3-170-3p	8.33 kWp	49	7 x 4	7 x 3	1 x Kostal PIKO 7.0	5 (+) & 5 (-)	9 + 9	SET22022
PowerSet Maxi 8.5-170-3p	8.50 kWp	50	6 x 3	<b>8 x 4<sup>1)</sup></b>	1 x Kostal PIKO 8.5	5 (+) & 5 (-)	9 + 9	SET22023
PowerSet Maxi 8.7-170-3p	8.67 kWp	51	7 x 3	6 x 5	1 x Kostal PIKO 8.5	6 (+) & 6 (-)	12 + 12	SET22024
PowerSet Maxi 8.8-170-3p	8.84 kWp	52	7 x 4	6 x 4	1 x Kostal PIKO 8.5	6 (+) & 6 (-)	12 + 12	SET22025
PowerSet Maxi 9.0-170-3p	9.01 kWp	53	7 x 5	6 x 3	1 x Kostal PIKO 8.5	6 (+) & 6 (-)	12 + 12	SET22026
PowerSet Maxi 9.2-170-3p	9.18 kWp	54	6 x 5	6 x 4	1 x Kostal PIKO 8.5	7 (+) & 7 (-)	12 + 12	SET22027
PowerSet Maxi 9.4-170-3p	9.35 kWp	55	7 x 5	<b>5 x 4<sup>2)</sup></b>	1 x Kostal PIKO 8.5	7 (+) & 7 (-)	12 + 12	SET22028
PowerSet Maxi 9.5-170-3p	9.52 kWp	56	7 x 4	7 x 4	1 x Kostal PIKO 8.5	6 (+) & 6 (-)	12 + 12	SET22029
PowerSet Maxi 9.7-170-3p	9.69 kWp	57	<b>5 x 5<sup>2)</sup></b>	<b>8 x 4<sup>1)</sup></b>	1 x Kostal PIKO 8.5	7 (+) & 7 (-)	12 + 12	SET22030
PowerSet Maxi 9.9-170-3p	9.86 kWp	58	7 x 4	6 x 5	1 x Kostal PIKO 8.5	7 (+) & 7 (-)	12 + 12	SET22031

**Table 2: Recommended connections for PowerSet Maxi**

- 1) If 8 modules are configured in series, please note that the maximum system voltage of 1,000 V may not be exceeded, especially at low temperatures. This requires a specific calculation of the voltage for your region on the basis of technical data of the SF170-S module with consideration given to the regional weather data.
- 2) If a PIKO 8.5 is configured with 5 modules in series, the MPP voltage of the strings could drop below the MPP range of the inverter, which could lead to yield reduction.

### 4. Further connection options

If your planning requires a different connection variant from the PowerSets Maxi listed in Table 2, you will find possible alternatives in this Chapter. You may need additional Y-cables which extend beyond the standard scope of supply.

The following tables show all the permissible connection variants for PowerSet Maxi.

Table 3 and Table 4 show all the permissible connection options for PIKO 4.6, PIKO 5.5, PIKO 7.0 and PIKO 8.5 together with the number of SF170-S modules and the resulting DC power.

Table 5 shows the number of Y-cables you require for each connection variant. If you require more Y-cables than supplied by Solar Frontier as standard as a result of an alternative connection, you can order these extra Y-cables from Solar Frontier.

#### Example:

PowerSet Maxi 5.4-170-3p (SET22005) with 32 modules includes three Y-cable pairs as standard for a connection with 7 modules in series x 2 strings for MPP input 1 and 6 x 3 for MPP input 2.

However, 32 modules can also be implemented with 6 modules x 2 strings on MPP input 1 and 5 modules x 4 strings on MPP input 2. This connection requires at least four Y-cable pairs. This means that you have to order an extra Y-cable pair, in order to be able to implement this configuration with PowerSet Maxi 5.4-170-3p (SET22005).

The colour of the cells in the tables indicates the recommended inverter with the following code:

PIKO 4.6	PIKO 5.5	PIKO 7.0	PIKO 8.5
----------	----------	----------	----------

Number of modules in series			5	5	5	5	5	6	6	6	6	6	7	7	7	7	7		
Number of modules in series	Number of strings on MPP input 1		1	2	3	4	5	1	2	3	4	5	1	2	3	4	5		
	Number of strings on MPP input 2	Number of modules per MPP input	5	10	15	20	25	6	12	18	24	30	7	14	21	28	35		
5	1	5					30					29	35				33	40	
5	2	10					35				28	34	40				31	38	45
5	3	15				30	35	40			33	39	45		29		36	43	50
5	4	20		30	35	40	45		32		38	44	50		34	41	48	55	
5	5	25	30	35	40	45	50	31	37	43	49	55	32	39	46	53			
6	1	6					31					30	36					34	41
6	2	12					32	37			30	36	42				33	40	47
6	3	18		28	33	38	43		30	36	42	48		32	39	46	53		
6	4	24	29	34	39	44	49	30	36	42	48	54	31	38	45	52			
6	5	30	35	40	45	50	55	36	42	48	54	60	37	44	51	58			
7	1	7					32					31	37				28	35	42
7	2	14			29	34	39			32	38	44		28	35	42	49	56	
7	3	21		31	36	41	46		33	39	45	51	28	35	42	49	56		
7	4	28	33	38	43	48	53	34	40	46	52	58	35	42	49	56			
7	5	35	40	45	50	55		41	47	53			42	49	56				

Table 3: Connection options for PIKO 4.6, PIKO 5.5, PIKO 7.0 and PIKO 8.5 - number of SF170-S modules

Number of modules in series			5	5	5	5	5	6	6	6	6	6	7	7	7	7	7	
Number of modules in series	Number of strings on MPP input 1		1	2	3	4	5	1	2	3	4	5	1	2	3	4	5	
	Number of strings on MPP input 2	DC Power in Wp per MPP input	850	1700	2550	3400	4250	1020	2040	3060	4080	5100	1190	2380	3570	4760	5950	
5	1	850					5,100					4,930	5,950				5,610	6,800
5	2	1700					5,100				4,760	5,780	6,800			5,270	6,460	7,650
5	3	2550				5,100	5,950	6,800			5,610	6,630	7,650		4,930	6,120	7,310	8,500
5	4	3400		5,100	5,950	6,800	7,650		5,440	6,460	7,480	8,500		5,780	6,970	8,160	9,350	
5	5	4250	5,100	5,950	6,800	7,650	8,500	5,270	6,290	7,310	8,330	9,350	5,440	6,630	7,820	9,010		
6	1	1020					5,270					5,100	6,120				5,780	6,970
6	2	2040					5,440	6,290			5,100	6,120	7,140			5,610	6,800	7,990
6	3	3060		4,760	5,610	6,460	7,310		5,100	6,120	7,140	8,160		5,440	6,630	7,820	9,010	
6	4	4080	4,930	5,780	6,630	7,480	8,330	5,100	6,120	7,140	8,160	9,180	5,270	6,460	7,650	8,840		
6	5	5100	5,950	6,800	7,650	8,500	9,350	6,120	7,140	8,160	9,180		6,290	7,480	8,670	9,860		
7	1	1190					5,440					5,270	6,290			4,760	5,950	7,140
7	2	2380			4,930	5,780	6,630				5,440	6,460	7,480		4,760	5,950	7,140	8,330
7	3	3570		5,270	6,120	6,970	7,820		5,610	6,630	7,650	8,670	4,760	5,950	7,140	8,330	9,520	
7	4	4760	5,610	6,460	7,310	8,160	9,010	5,780	6,800	7,820	8,840	9,860	5,950	7,140	8,330	9,520		
7	5	5950	6,800	7,650	8,500	9,350		6,970	7,990	9,010			7,140	8,330	9,520			

Table 4: Connection options for PIKO 4.6, PIKO 5.5, PIKO 7.0 and PIKO 8.5 - DC power with the SF170-S modules

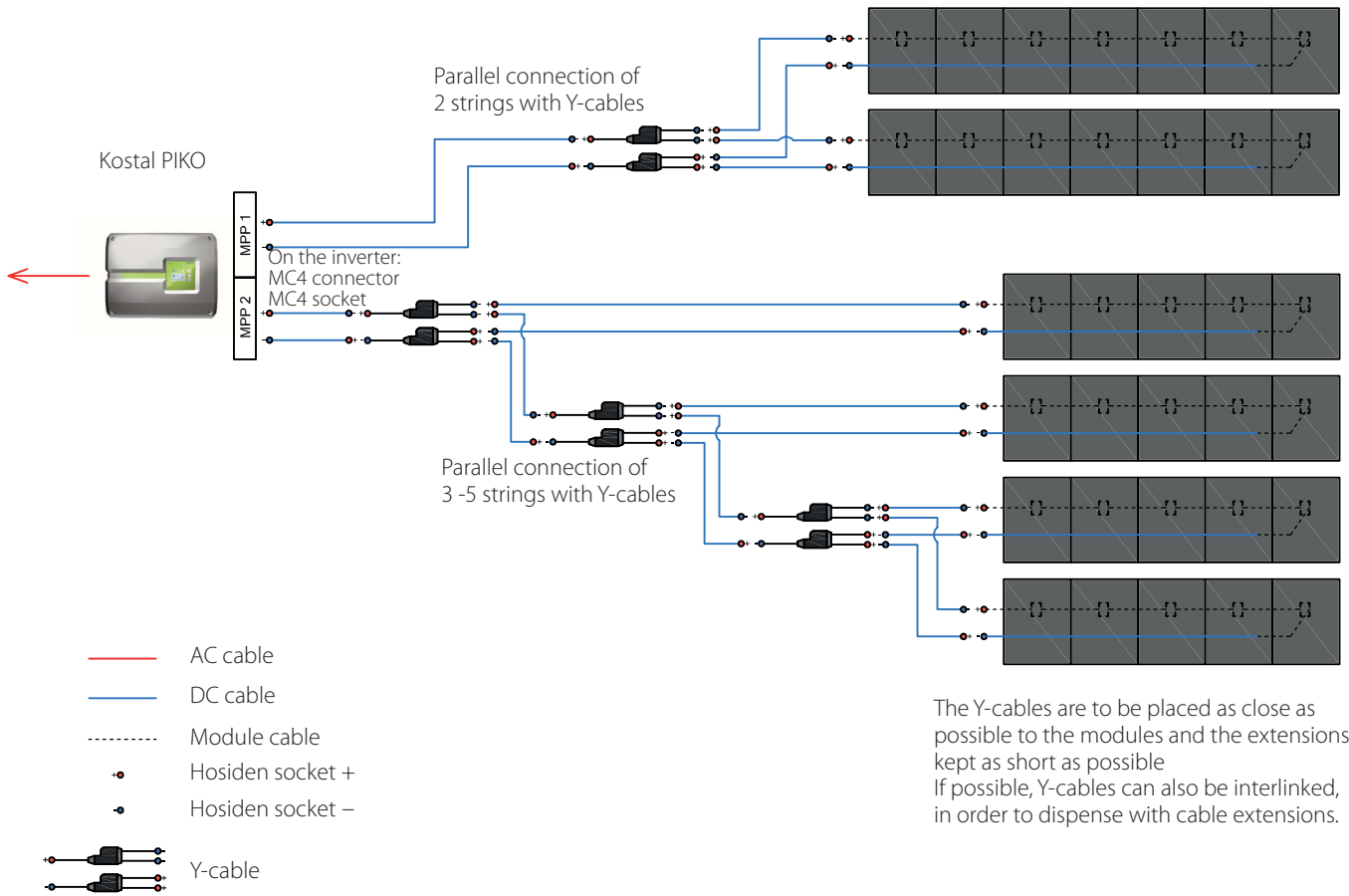
Number of modules in series			5	5	5	5	5	6	6	6	6	6	7	7	7	7	7	
Number of modules in series	Number of strings on MPP input 1		1	2	3	4	5	1	2	3	4	5	1	2	3	4	5	
	Number of strings on MPP input 2	Number of Y-cable pairs per MPP input	0	1	2	3	4	0	1	2	3	4	0	1	2	3	4	
5	1	0					4					3	4				3	4
5	2	1					4				3	4	5			3	4	5
5	3	2				4	5	6			4	5	6		3	4	5	6
5	4	3		4	5	6	7		4	5	6	7	8		4	5	6	7
5	5	4	4	5	6	7	8	4	5	6	7	8	9	4	5	6	7	
6	1	0					4					3	4				3	4
6	2	1					4				3	4	5			3	4	5
6	3	2		3	4	5	6		3	4	5	6	7		3	4	5	6
6	4	3	3	4	5	6	7	3	4	5	6	7	8	3	4	5	6	
6	5	4	4	5	6	7	8	4	5	6	7	8	9	4	5	6	7	
7	1	0					4					3	4			2	3	4
7	2	1			3	4	5				3	4	5		2	3	4	5
7	3	2		3	4	5	6		3	4	5	6	7	2	3	4	5	6
7	4	3	3	4	5	6	7	3	4	5	6	7	8	3	4	5	6	
7	5	4	4	5	6	7		4	5	6			4	5	6			

Table 5: Connection options for PIKO 4.6, PIKO 5.5, PIKO 7.0 and PIKO 8.5 - number of Y-cables required

## 5. Installation of the strings with Y-cable, plug connectors and extension

The following layout shows a typical example of how several strings can be connected with the supplied Y-cables and plug connectors.

**Series connection of 5 - 7 modules**  
see planning guide



ENGLISH

## 6. Exclusion of liability

This guide serves the sole and exclusive purpose of providing general information for the technical personnel who carry out installations. As such it does not replace the installation and operating instructions of the respective component manufacturers as amended. Their installation and operating instructions always have precedence over this guide.

Solar Frontier ("SF") will not accept any warranty or guarantee claims arising from incorrect use of the components of the PowerSet Maxi. As far as is legally possible, the liability of SF is restricted to the respective contractual limitations of liability, particularly to warranty claims.

This guide does not claim to be complete or correct. SF reserves the unilateral right to adapt, amend or update this guide. This guide is the exclusive property of SF. Reproduction and other forms of distribution require the prior agreement of SF.

# Inhalt

<b>1. Einführung</b>	<b>6</b>
<b>2. Allgemeine Hinweise</b>	<b>6</b>
2.1 Modul	6
2.2 Wechselrichter	6
2.3 Kabel und Steckverbinder	6
<b>3. Übersicht der empfohlenen Verschaltungen für PowerSet Maxi</b>	<b>7</b>
<b>4. Weitere Verschaltungsmöglichkeiten</b>	<b>7</b>
<b>5. Installation der Strings mit Y-Kabel, Steckverbindern und Verlängerung</b>	<b>9</b>
<b>6. Haftungsausschluss</b>	<b>9</b>

## 1. Einführung

Dieser Planungsleitfaden bietet Ihnen eine Hilfestellung bei der Belegung Ihres Kostal PIKO Wechselrichters mit den SF170-S PowerModulen. Um auch komplexe Dachformen belegen zu können und flexibel zu bleiben, beachten Sie bitte die nachfolgend beschriebenen Hinweise. Für die Planung werden die wichtigsten technischen Daten des Wechselrichters, Moduls und Kabels beschrieben, sowie alle zulässigen Konfigurationen aufgelistet und die richtige Verwendung der Y-Kabel und der Steckverbinder erklärt.

## 2. Allgemeine Hinweise

In diesem Punkt werden die limitierenden technischen Spezifikationen der Komponenten beschrieben. Sie beziehen sich auf das Modul SF170-S und die Wechselrichter PIKO 4.6, PIKO 5.5, PIKO 7.0 und PIKO 8.5 von Kostal.

### 2.1 Modul

Bei der Verschaltung der Module ist auf die Anzahl der Module pro String (seriell) sowie der parallel verschalteten Strings zu achten. Die Module pro String definieren die Spannung des gesamten Strings. Diese Spannung muss die Mindest-MPP-Spannung des gewählten Wechselrichters unter Betriebsbedingungen erreichen können. Die Leerlaufspannung darf grundsätzlich die 1.000V Systemspannung nicht überschreiten.

Die parallelen Strings an einem MPP-Eingang müssen immer dieselbe Anzahl an Modulen in Serie aufweisen. Unterschiedliche Anzahl von Modulen in Serie ergeben unterschiedliche Stringspannungen. In einer Parallelschaltung zweier (oder mehrerer) Strings stellt sich nur eine Spannung ein. Daraus folgt, dass beide Strings (mit jeweils voneinander abweichender Anzahl an Modulen in Serie) nicht in ihrem Optimum betrieben und sogar durch unerwünschte Rückströme dauerhaft beschädigt werden können.

### 2.2 Wechselrichter

Die Wechselrichter verfügen über zwei unabhängig arbeitende MPP-Eingänge, die asymmetrisch belegt werden dürfen. Die limitierenden Parameter sind die Minimal- und Maximal-Werte für Strom und Spannung. Diese sind in der folgenden Tabelle 1 für die verwendeten Wechselrichter aufgelistet:

		<b>PIKO 4.6</b>	<b>PIKO 5.5</b>	<b>PIKO 7.0</b>	<b>PIKO 8.5</b>
Wechselrichter Bemessungsleistung (AC)	P <sub>AC</sub>	4,6 kW	5,5 kW	7,0 kW	8,5 kW
Minimale MPP-Spannung für DC-Nennleistung im Zwei-Tracker-Betrieb (UMPP <sub>min</sub> )	U <sub>MPPmin</sub>	265 V	265 V	330 V	400 V
Maximale MPP-Spannung	U <sub>MPPmax</sub>	800 V			
Maximale Eingangsspannung	U <sub>DCmax</sub>	1000 V			
Maximaler Eingangsstrom pro MPP-Eingang	I <sub>DCmax</sub>	11 A			

**Tabelle : 1 PIKO Wechselrichter**

Aus den technischen Daten gemäß Tabelle 1 und denen der SF170-S Module lässt sich Folgendes herleiten:

- Für PIKO 4.6 und PIKO 5.5 sind mindestens 4 Module in Serie notwendig, um die minimale MPP-Spannung zu erreichen.
- Für PIKO 7.0 sind mindestens 5 Module in Serie notwendig, um die minimale MPP-Spannung zu erreichen.
- Für PIKO 8.5 sind mindestens 6 Module in Serie notwendig, um die minimale MPP-Spannung zu erreichen
- Als Obergrenze ergeben sich 7 Module pro String, da andernfalls die 1.000 V-Grenze überschritten werden kann. In manchen Regionen dürfen 8 Module pro String verwendet werden, bitte klären Sie dies mit Solar Frontier vorab.
- Maximal dürfen 5 Strings parallel geschaltet werden, da ansonsten der maximale Strom von 11 A pro MPP-Eingang überschritten werden kann.

Darüberhinaus wird außerdem empfohlen, den Wechselrichter maximal mit einem DC/AC- Leistungsverhältnis von 1,20 zu betreiben, um Verluste durch Leistungsbegrenzung möglichst gering zu halten. Gleichzeitig sollten die Wechselrichter mit ausreichend DC-Leistung belegt werden, um die Anlage möglichst im hohen Wirkungsgradbereich der PIKO Wechselrichter zu betreiben. Siehe hierzu die Wirkungsgradkurven der PIKO Wechselrichter in den jeweiligen Datenblättern.

### 2.3 Kabel und Steckverbinder

Die Module und die Y-Kabel verfügen über Steckverbinder der Firma Hosiden (MC-4 steckbar). Für Kabelverlängerungen an den Modulen und Y-Kabeln sollten die von Solar Frontier im PowerSet Maxi mitgelieferten Hosiden Steckverbinder eingesetzt werden. Somit wird die höchste Steckkompatibilität im System gewährleistet. Die PIKO Wechselrichter sind mit Steckverbindern der Firma Multi-Contact ausgestattet und beinhalten in ihrem Lieferumfang ein DC-Steckverbinderpaar von Multi-Contact pro DC-Eingang.

Der Kabelquerschnitt beträgt am Y-Kabel 6 mm<sup>2</sup>, am Modul 4 mm<sup>2</sup>. Für die Verlängerungen wird ein Querschnitt zwischen 4 mm<sup>2</sup> und 6 mm<sup>2</sup> empfohlen. Eine beispielhafte Verkabelung finden sie unter Kapitel 5.



Es ist unbedingt darauf zu achten, dass verwendete Crimpwerkzeuge die passenden Einsätze besitzen und vom Hersteller freigegeben sind, um eine normgerechte Pressung am Multicontact- sowie Hosiden- Steckverbinder zu gewährleisten. Crimpwerkzeug von Hosiden ist bei Solar Frontier erhältlich.

### 3. Übersicht der empfohlenen Verschaltungen für PowerSet Maxi

In der folgenden Tabelle 2 befinden sich die von Solar Frontier empfohlenen Verschaltungen für PowerSet Maxi. Die Tabelle zeigt, aus welchen Komponenten diese PowerSets bestehen. Solar Frontier liefert die PowerSets mit den unten aufgeführten Komponenten als Standard.

Andere Verschaltungsvarianten sind möglich und werden in Kapitel 4 aufgeführt. Diese verlangen jedoch eine andere Belegung der MPP-Eingänge und eine höhere Anzahl an Y-Kabeln.

PowerSet	Leistung	Module (SF170-S)	MPP-Eingang 1 (Module in Serie x Module parallel)	MPP-Eingang 2 (Module in Serie x Module parallel)	Wechselrichter	Y-Kabel	Stecker + Buchse	Artikelnummer
PowerSet Maxi 4.8-170-3p	4,76 kWp	28	7 x 2	7 x 2	1 x Kostal PIKO 4.6	2 (+) & 2 (-)	6 + 6	SET22001
PowerSet Maxi 4.9-170-3p	4,93 kWp	29	7 x 2	5 x 3	1 x Kostal PIKO 4.6	3 (+) & 3 (-)	6 + 6	SET22002
PowerSet Maxi 5.1-170-3p	5,10 kWp	30	6 x 3	6 x 2	1 x Kostal PIKO 4.6	3 (+) & 3 (-)	6 + 6	SET22003
PowerSet Maxi 5.3-170-3p	5,27 kWp	31	7 x 1	6 x 4	1 x Kostal PIKO 4.6	3 (+) & 3 (-)	6 + 6	SET22004
PowerSet Maxi 5.4-170-3p	5,44 kWp	32	7 x 2	6 x 3	1 x Kostal PIKO 4.6	3 (+) & 3 (-)	6 + 6	SET22005
PowerSet Maxi 5.6-170-3p	5,61 kWp	33	7 x 3	6 x 2	1 x Kostal PIKO 5.5	3 (+) & 3 (-)	6 + 6	SET22006
PowerSet Maxi 5.8-170-3p	5,78 kWp	34	7 x 4	6 x 1	1 x Kostal PIKO 5.5	3 (+) & 3 (-)	6 + 6	SET22007
PowerSet Maxi 6.0-170-3p	5,95 kWp	35	7 x 3	7 x 2	1 x Kostal PIKO 5.5	3 (+) & 3 (-)	6 + 6	SET22008
PowerSet Maxi 6.1-170-3p	6,12 kWp	36	6 x 4	6 x 2	1 x Kostal PIKO 5.5	4 (+) & 4 (-)	6 + 6	SET22009
PowerSet Maxi 6.3-170-3p	6,29 kWp	37	7 x 1	6 x 5	1 x Kostal PIKO 5.5	4 (+) & 4 (-)	6 + 6	SET22010
PowerSet Maxi 6.5-170-3p	6,46 kWp	38	7 x 2	6 x 4	1 x Kostal PIKO 5.5	4 (+) & 4 (-)	6 + 6	SET22011
PowerSet Maxi 6.6-170-3p	6,63 kWp	39	7 x 3	6 x 3	1 x Kostal PIKO 5.5	4 (+) & 4 (-)	6 + 6	SET22012
PowerSet Maxi 6.8-170-3p	6,80 kWp	40	7 x 4	6 x 2	1 x Kostal PIKO 5.5	4 (+) & 4 (-)	6 + 6	SET22013
PowerSet Maxi 7.0-170-3p	6,97 kWp	41	7 x 5	6 x 1	1 x Kostal PIKO 7.0	4 (+) & 4 (-)	6 + 6	SET22014
PowerSet Maxi 7.1-170-3p	7,14 kWp	42	7 x 3	7 x 3	1 x Kostal PIKO 7.0	4 (+) & 4 (-)	6 + 6	SET22015
PowerSet Maxi 7.3-170-3p	7,31 kWp	43	7 x 4	5 x 3	1 x Kostal PIKO 7.0	5 (+) & 5 (-)	9 + 9	SET22016
PowerSet Maxi 7.5-170-3p	7,48 kWp	44	7 x 2	6 x 5	1 x Kostal PIKO 7.0	5 (+) & 5 (-)	9 + 9	SET22017
PowerSet Maxi 7.7-170-3p	7,65 kWp	45	7 x 3	6 x 4	1 x Kostal PIKO 7.0	5 (+) & 5 (-)	9 + 9	SET22018
PowerSet Maxi 7.8-170-3p	7,82 kWp	46	7 x 4	6 x 3	1 x Kostal PIKO 7.0	5 (+) & 5 (-)	9 + 9	SET22019
PowerSet Maxi 8.0-170-3p	7,99 kWp	47	7 x 5	6 x 2	1 x Kostal PIKO 7.0	5 (+) & 5 (-)	9 + 9	SET22020
PowerSet Maxi 8.2-170-3p	8,16 kWp	48	6 x 4	6 x 4	1 x Kostal PIKO 7.0	6 (+) & 6 (-)	12 + 12	SET22021
PowerSet Maxi 8.3-170-3p	8,33 kWp	49	7 x 4	7 x 3	1 x Kostal PIKO 7.0	5 (+) & 5 (-)	9 + 9	SET22022
PowerSet Maxi 8.5-170-3p	8,50 kWp	50	6 x 3	8 x 4 1)	1 x Kostal PIKO 8.5	5 (+) & 5 (-)	9 + 9	SET22023
PowerSet Maxi 8.7-170-3p	8,67 kWp	51	7 x 3	6 x 5	1 x Kostal PIKO 8.5	6 (+) & 6 (-)	12 + 12	SET22024
PowerSet Maxi 8.8-170-3p	8,84 kWp	52	7 x 4	6 x 4	1 x Kostal PIKO 8.5	6 (+) & 6 (-)	12 + 12	SET22025
PowerSet Maxi 9.0-170-3p	9,01 kWp	53	7 x 5	6 x 3	1 x Kostal PIKO 8.5	6 (+) & 6 (-)	12 + 12	SET22026
PowerSet Maxi 9.2-170-3p	9,18 kWp	54	6 x 5	6 x 4	1 x Kostal PIKO 8.5	7 (+) & 7 (-)	12 + 12	SET22027
PowerSet Maxi 9.4-170-3p	9,35 kWp	55	7 x 5	5 x 4 2)	1 x Kostal PIKO 8.5	7 (+) & 7 (-)	12 + 12	SET22028
PowerSet Maxi 9.5-170-3p	9,52 kWp	56	7 x 4	7 x 4	1 x Kostal PIKO 8.5	6 (+) & 6 (-)	12 + 12	SET22029
PowerSet Maxi 9.7-170-3p	9,69 kWp	57	5 x 5 2)	8 x 4 1)	1 x Kostal PIKO 8.5	7 (+) & 7 (-)	12 + 12	SET22030
PowerSet Maxi 9.9-170-3p	9,86 kWp	58	7 x 4	6 x 5	1 x Kostal PIKO 8.5	7 (+) & 7 (-)	12 + 12	SET22031

Tabelle 2: Empfohlene Verschaltungen für PowerSet Maxi

- Bei Auslegung mit 8 Modulen in Serie achten Sie bitte darauf, dass die maximale Systemspannung von 1.000 V insbesondere bei niedrigen Temperaturen nicht überschritten werden darf. Dies erfordert eine spezifische Berechnung der Spannung für Ihre Region anhand der technischen Daten des Moduls SF170-S unter Berücksichtigung der regionalen Wetterdaten.
- Bei Auslegung von PIKO 8.5 mit 5 Modulen in Serie kann die MPP-Spannung der Strings den MPP-Bereich des Wechselrichters unterschreiten, welches zu Ertragsminderung führen kann.

### 4. Weitere Verschaltungsmöglichkeiten

Sollte Ihre Planung eine andere Verschaltungsvariante voraussetzen als die in Tabelle 2 aufgeführten PowerSets Maxi, finden Sie in diesem Kapitel mögliche Alternativen. Möglicherweise benötigen Sie zusätzliche Y-Kabel, die über den Standardlieferungsumfang hinausgehen.

Die folgenden Tabellen zeigen alle zulässigen Verschaltungsvarianten für PowerSet Maxi.

Tabelle 3 und Tabelle 4 zeigen alle zulässigen Verschaltungsmöglichkeiten für PIKO 4.6, PIKO 5.5, PIKO 7.0 und PIKO 8.5 in Verbindung mit der Anzahl der Module SF170-S und der daraus resultierenden DC-Leistung.

Tabelle 5 zeigt, wieviele Y-Kabel Sie für jede Verschaltungsvariante benötigen. Sollten Sie durch eine alternative Verschaltung mehr Y-Kabel benötigen als von Solar Frontier standardmäßig geliefert, können Sie diese zusätzlichen Y-Kabeln bei Solar Frontier bestellen.

#### Beispiel:

PowerSet Maxi 5.4-170-3p (SET22005) mit 32 Modulen beinhaltet standardmäßig drei Y-Kabelpaare für eine Verschaltung mit 7 Modulen in Serie x 2 Strings für MPP-Eingang 1 und 6 x 3 für MPP-Eingang 2.

32 Module lassen sich jedoch auch mit 6 Modulen x 2 Strings an MPP-Eingang 1 und 5 Modulen x 4 Strings an MPP-Eingang 2 realisieren. Diese Verschaltung erfordert mindestens vier Y-Kabelpaare. Das bedeutet, dass Sie zusätzlich ein Y-Kabelpaar bestellen müssen, um mit PowerSet Maxi 5.4-170-3p (SET22005) diese Auslegung durchführen zu können.

Die Farbe der Zellen in den Tabellen weist auf den empfohlenen Wechselrichter mit dem folgenden Code hin:

PIKO 4.6	PIKO 5.5	PIKO 7.0	PIKO 8.5
----------	----------	----------	----------

Anzahl Module in Serie			5	5	5	5	5	6	6	6	6	6	7	7	7	7	7		
Anzahl Module in Serie	Anzahl der Strings MPP-Eingang 1		1	2	3	4	5	1	2	3	4	5	1	2	3	4	5		
	Anzahl der Strings MPP-Eingang 2	Anzahl der Module pro MPP-Eingang	5	10	15	20	25	6	12	18	24	30	7	14	21	28	35		
5	1	5					30					29	35				33	40	
5	2	10					35				28	34	40				31	38	45
5	3	15				30	35	40			33	39	45			29	36	43	50
5	4	20			30	35	40	45			32	38	44	50		34	41	48	55
5	5	25	30	35	40	45	50	31	37	43	49	55	32	39	46	53			
6	1	6					31					30	36					34	41
6	2	12					32	37			30	36	42				33	40	47
6	3	18			28	33	38	43		30	36	42	48		32	39	46	53	
6	4	24	29	34	39	44	49	30	36	42	48	54	31	38	45	52			
6	5	30	35	40	45	50	55	36	42	48	54	60	37	44	51	58			
7	1	7					32					31	37				28	35	42
7	2	14			29	34	39				32	38	44		28	35	42	49	
7	3	21			31	36	41	46		33	39	45	51	28	35	42	49	56	
7	4	28	33	38	43	48	53	34	40	46	52	58	35	42	49	56			
7	5	35	40	45	50	55		41	47	53			42	49	56				

Tabelle 3: Verschaltungsmöglichkeiten für PIKO 4.6, PIKO 5.5, PIKO 7.0 und PIKO 8.5 - Anzahl der Module SF170-S

Anzahl Module in Serie			5	5	5	5	5	6	6	6	6	6	7	7	7	7	7		
Anzahl Module in Serie	Anzahl der Strings MPP-Eingang 1		1	2	3	4	5	1	2	3	4	5	1	2	3	4	5		
	Anzahl der Strings MPP-Eingang 2	Leistung pro MPP-Eingang	850	1700	2550	3400	4250	1020	2040	3060	4080	5100	1190	2380	3570	4760	5950		
5	1	850					5.100					4.930	5.950				5.610	6.800	
5	2	1700					5.100				4.760	5.780	6.800			5.270	6.460	7.650	
5	3	2550				5.100	5.950	6.800			5.610	6.630	7.650		4.930	6.120	7.310	8.500	
5	4	3400			5.100	5.950	6.800	7.650			5.440	6.460	7.480	8.500	5.780	6.970	8.160	9.350	
5	5	4250	5.100	5.950	6.800	7.650	8.500	5.270	6.290	7.310	8.330	9.350	5.440	6.630	7.820	9.010			
6	1	1020					5.270					5.100	6.120				5.780	6.970	
6	2	2040					5.440	6.290			5.100	6.120	7.140			5.610	6.800	7.990	
6	3	3060			4.760	5.610	6.460	7.310		5.100	6.120	7.140	8.160		5.440	6.630	7.820	9.010	
6	4	4080	4.930	5.780	6.630	7.480	8.330	5.100	6.120	7.140	8.160	9.180	5.270	6.460	7.650	8.840			
6	5	5100	5.950	6.800	7.650	8.500	9.350	6.120	7.140	8.160	9.180		6.290	7.480	8.670	9.860			
7	1	1190					5.440					5.270	6.290				4.760	5.950	7.140
7	2	2380			4.930	5.780	6.630				5.440	6.460	7.480		4.760	5.950	7.140	8.330	
7	3	3570			5.270	6.120	6.970	7.820		5.610	6.630	7.650	8.670	4.760	5.950	7.140	8.330	9.520	
7	4	4760	5.610	6.460	7.310	8.160	9.010	5.780	6.800	7.820	8.840	9.860	5.950	7.140	8.330	9.520			
7	5	5950	6.800	7.650	8.500	9.350		6.970	7.990	9.010			7.140	8.330	9.520				

Tabelle 4: Verschaltungsmöglichkeiten für PIKO 4.6, PIKO 5.5, PIKO 7.0 und PIKO 8.5 – DC-Leistung mit den SF170-S Modulen

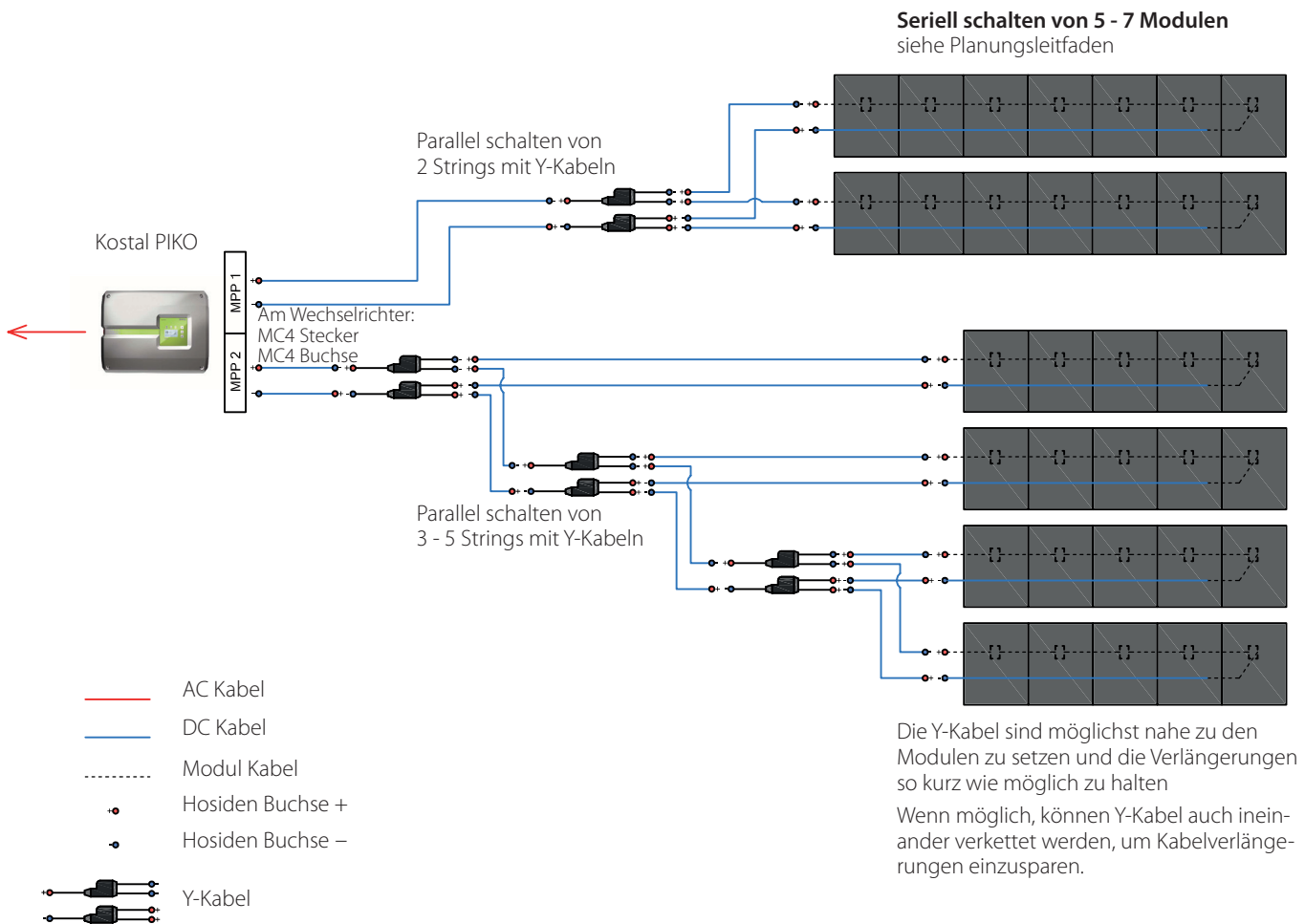
Anzahl Module in Serie			5	5	5	5	5	6	6	6	6	6	7	7	7	7	7		
Anzahl Module in Serie	Anzahl der Strings MPP-Eingang 1		1	2	3	4	5	1	2	3	4	5	1	2	3	4	5		
	Anzahl der Strings MPP-Eingang 2	Anzahl Y-Kabelpaare pro MPP-Eingang	0	1	2	3	4	0	1	2	3	4	0	1	2	3	4		
5	1	0					4					3	4				3	4	
5	2	1					4				3	4	5			3	4	5	
5	3	2				4	5				4	5	6		3	4	5	6	
5	4	3			4	5	6			4	5	6	7		4	5	6	7	
5	5	4	4	5	6	7	8	4	5	6	7	8	4	5	6	7			
6	1	0					4					3	4				3	4	
6	2	1					4				3	4	5			3	4	5	
6	3	2			3	4	5			3	4	5	6		3	4	5	6	
6	4	3	3	4	5	6	7	3	4	5	6	7	3	4	5	6			
6	5	4	4	5	6	7	8	4	5	6	7		4	5	6	7			
7	1	0					4					3	4				2	3	4
7	2	1				3	4				3	4	5		2	3	4	5	
7	3	2			3	4	5			3	4	5	6		3	4	5	6	
7	4	3	3	4	5	6	7	3	4	5	6	7		3	4	5	6		
7	5	4	4	5	6	7		4	5	6			4	5	6				

Tabelle 5: Verschaltungsmöglichkeiten für PIKO 4.6, PIKO 5.5, PIKO 7.0 und PIKO 8.5 - Anzahl der benötigten Y-Kabel



## 5. Installation der Strings mit Y-Kabel, Steckverbindern und Verlängerung

Das folgende Layout zeigt beispielhaft auf, wie mehrere Strings mit den mitgelieferten Y-Kabeln und Steckverbindern verbunden werden können.



DEUTSCH

## 6. Haftungsausschluss

Dieser Leitfaden dient ausschließlich und einzig zur allgemeinen Information der installierenden Fachkräfte. Er ersetzt zu keinem Zeitpunkt die jeweils gültigen Installations- und Betriebsanleitungen der jeweiligen Komponentenhersteller. Deren Installations- und Betriebsanleitungen gehen diesem Leitfaden stets vor.

Solar Frontier („SF“) übernimmt zu keinem Zeitpunkt etwaige Gewährleistungs- und Garantiesprüche aus der unsachgemäßen Verwendung der Komponenten des PowerSet Maxi. Die Haftung von SF beschränkt sich - soweit gesetzlich möglich - auf die jeweiligen vertraglichen Haftungsbeschränkungen, insbesondere auf die Garantiesprüche.

Dieser Leitfaden erhebt keinen Anspruch auf Vollständigkeit und Richtigkeit. SF behält sich das einseitige Recht vor, etwaige Anpassungen, Änderungen oder Aktualisierungen vorzunehmen. Dieser Leitfaden ist ausschließliches Eigentum von SF. Vervielfältigungen und anderweitige Verbreitungen ohne vorherige Zustimmung von SF werden ausgeschlossen.

# Indice

<b>1. Introduzione</b>	<b>10</b>
<b>2. Note generali</b>	<b>10</b>
2.1 Modulo	10
2.2 Inverter	10
2.3 Cavi e connettori	10
<b>3. Panoramica delle configurazioni raccomandate per PowerSet Maxi</b>	<b>11</b>
<b>4. Altre possibilità di collegamento</b>	<b>11</b>
<b>5. Installazione delle stringhe con cavi a Y, connettori e prolunga</b>	<b>13</b>
<b>6. Esclusione di responsabilità</b>	<b>13</b>

## 1. Introduzione

La presente guida fornisce un aiuto per il collegamento dell'inverter Kostal PIKO con i PowerModul SF170-S. Per poter disporre i moduli anche su tetti dalla forma complessa, si prega di attenersi alle indicazioni fornite di seguito. Per facilitare il planning degli impianti, nel seguito vengono forniti i principali dati tecnici dell'inverter, del modulo e del cavo, vengono elencate tutte le configurazioni ammesse e viene spiegato l'utilizzo corretto del cavo a y e dei connettori.

## 2. Note generali

In questo paragrafo sono descritte le specifiche tecniche da rispettare per le componenti. Si riferiscono al modulo SF170-S e agli inverter PIKO 4.6, PIKO 5.5, PIKO 7.0 e PIKO 8.5 di Kostal.

### 2.1 Modulo

Quando si collegano i moduli bisogna considerare il numero di moduli per stringa (in serie) nonché a quello delle stringhe collegate in parallelo. Il numero di moduli per stringa definisce la tensione dell'intera stringa. In condizioni di funzionamento, questa tensione deve essere in grado di raggiungere la tensione MPP minima dell'inverter selezionato. Come norma generale, la tensione a vuoto non deve superare la tensione di sistema pari a 1.000 V.

Le stringhe parallele di un ingresso MPP devono presentare sempre la stessa quantità di moduli in serie. Quantità diverse di moduli in serie danno come risultato tensioni di stringa diverse. Se si collegano in parallelo due (o più) stringhe, queste si settano allo stesso valore di tensione. Ne consegue che le due stringhe (con quantità diverse di moduli in serie) non funzionano in modo ottimale e possono anzi subire danni permanenti a causa di correnti inverse indesiderate.

### 2.2 Inverter

Gli inverter sono provvisti di due ingressi MPP che funzionano in modo indipendente e che possono essere equipaggiati asimmetricamente. I parametri limitatori sono i valori minimi e massimi di corrente e tensione. I valori relativi agli inverter utilizzati sono elencati nella seguente tabella 1:

		<b>PIKO 4.6</b>	<b>PIKO 5.5</b>	<b>PIKO 7.0</b>	<b>PIKO 8.5</b>
Potenza nominale inverter (CA)	$P_{AC}$	4,6 kW	5,5 kW	7,0 kW	8,5 kW
Tensione MPP minima per la potenza nominale CC nel funzionamento con due inseguitori (UMPPmin)	$U_{MPPmin}$	265 V	265 V	330 V	400 V
Tensione MPP massima	$U_{MPPmax}$			800 V	
Tensione d'ingresso massima	$U_{DCmax}$			1000 V	
Corrente d'ingresso massima per ogni ingresso MPP	$I_{DCmax}$			11 A	

**Tabella 1 inverter PIKO**

Dai dati tecnici di cui alla tabella 1 e da quelli dei moduli SF170-S si può dedurre quanto segue:

- Per PIKO 4.6 e PIKO 5.5 sono necessari almeno 4 moduli in serie per raggiungere la tensione MPP minima.
- Per PIKO 7.0 sono necessari almeno 5 moduli in serie per raggiungere la tensione MPP minima.
- Per PIKO 8.5 sono necessari almeno 6 moduli in serie per raggiungere la tensione MPP minima.
- Il limite superiore risultante è di 7 moduli per stringa, poiché altrimenti si supererebbe il limite di 1.000 V. In alcune regioni è consentito utilizzare 8 moduli a stringa. Si prega di verificare questa possibilità in via preliminare con Solar Frontier.
- Come massimo è consentito collegare in parallelo 5 stringhe, altrimenti si può superare la corrente massima di 11 A per ogni ingresso MPP. Inoltre si raccomanda di far funzionare l'inverter con un rapporto di potenza CC/CA massimo di 1,20, in modo da ridurre il più possibile le perdite causate dalla limitazione di potenza. Allo stesso tempo, gli inverter andrebbero equipaggiati con una potenza CC sufficiente a consentire per quanto possibile che l'impianto funzioni nel campo di rendimento superiore degli inverter PIKO. Si vedano a tale proposito le curve di rendimento degli inverter PIKO nelle relative schede tecniche.

### 2.3 Cavi e connettori

I moduli e i cavi a y sono provvisti di connettori della ditta Hosiden (MC-4 a innesto). Per le prolunghie è preferibile usare i connettori Hosiden forniti da Solar Frontier nel PowerSet Maxi. In questo modo si garantisce la massima compatibilità delle connessioni a innesto del sistema. Gli inverter PIKO sono provvisti di connettori della ditta Multi-Contact e il materiale in dotazione con gli inverter comprende una coppia di connettori CC della Multi-Contact per ogni ingresso CC.

La sezione del cavo è di 6 mm<sup>2</sup> nel cavo a Y e 4 mm<sup>2</sup> nel modulo. Per le prolunghie si raccomanda una sezione compresa tra 4 mm<sup>2</sup> e 6 mm<sup>2</sup>. Al capitolo 5 è riportato un esempio di cablaggio.

È necessario assicurarsi che le crimpatrici utilizzate presentino attacchi idonei e che i rispettivi produttori ne abbiano attestato la capacità di garantire una pressione a norma sui connettori Multicontact e Hosiden. La crimpatrice Hosiden è disponibile presso Solar Frontier.

### 3. Panoramica delle configurazioni raccomandate per PowerSet Maxi

La seguente tabella 2 riporta le configurazioni per PowerSet Maxi raccomandati da Solar Frontier. La tabella mostra da quali componenti sono costituiti questi PowerSet. Solar Frontier fornisce i PowerSet con i componenti di serie indicati di seguito.

Sono possibili configurazioni alternative, che sono trattate al capitolo 4. Esse richiedono tuttavia un'assegnazione diversa degli ingressi MPP e un maggior numero di cavi a Y.

PowerSet	Potenza	Moduli (SF170-S)	Ingresso MPP 1 (moduli in serie x moduli in parallelo)	Ingresso MPP 2 (moduli in serie x moduli in parallelo)	Inverter	Cavi a Y	Connettore Presa +	Codice articolo
PowerSet Maxi 4.8-170-3p	4,76 kWp	28	7 x 2	7 x 2	1 x Kostal PIKO 4.6	2 (+) & 2 (-)	6 + 6	SET22001
PowerSet Maxi 4.9-170-3p	4,93 kWp	29	7 x 2	5 x 3	1 x Kostal PIKO 4.6	3 (+) & 3 (-)	6 + 6	SET22002
PowerSet Maxi 5.1-170-3p	5,10 kWp	30	6 x 3	6 x 2	1 x Kostal PIKO 4.6	3 (+) & 3 (-)	6 + 6	SET22003
PowerSet Maxi 5.3-170-3p	5,27 kWp	31	7 x 1	6 x 4	1 x Kostal PIKO 4.6	3 (+) & 3 (-)	6 + 6	SET22004
PowerSet Maxi 5.4-170-3p	5,44 kWp	32	7 x 2	6 x 3	1 x Kostal PIKO 4.6	3 (+) & 3 (-)	6 + 6	SET22005
PowerSet Maxi 5.6-170-3p	5,61 kWp	33	7 x 3	6 x 2	1 x Kostal PIKO 5.5	3 (+) & 3 (-)	6 + 6	SET22006
PowerSet Maxi 5.8-170-3p	5,78 kWp	34	7 x 4	6 x 1	1 x Kostal PIKO 5.5	3 (+) & 3 (-)	6 + 6	SET22007
PowerSet Maxi 6.0-170-3p	5,95 kWp	35	7 x 3	7 x 2	1 x Kostal PIKO 5.5	3 (+) & 3 (-)	6 + 6	SET22008
PowerSet Maxi 6.1-170-3p	6,12 kWp	36	6 x 4	6 x 2	1 x Kostal PIKO 5.5	4 (+) & 4 (-)	6 + 6	SET22009
PowerSet Maxi 6.3-170-3p	6,29 kWp	37	7 x 1	6 x 5	1 x Kostal PIKO 5.5	4 (+) & 4 (-)	6 + 6	SET22010
PowerSet Maxi 6.5-170-3p	6,46 kWp	38	7 x 2	6 x 4	1 x Kostal PIKO 5.5	4 (+) & 4 (-)	6 + 6	SET22011
PowerSet Maxi 6.6-170-3p	6,63 kWp	39	7 x 3	6 x 3	1 x Kostal PIKO 5.5	4 (+) & 4 (-)	6 + 6	SET22012
PowerSet Maxi 6.8-170-3p	6,80 kWp	40	7 x 4	6 x 2	1 x Kostal PIKO 5.5	4 (+) & 4 (-)	6 + 6	SET22013
PowerSet Maxi 7.0-170-3p	6,97 kWp	41	7 x 5	6 x 1	1 x Kostal PIKO 7.0	4 (+) & 4 (-)	6 + 6	SET22014
PowerSet Maxi 7.1-170-3p	7,14 kWp	42	7 x 3	7 x 3	1 x Kostal PIKO 7.0	4 (+) & 4 (-)	6 + 6	SET22015
PowerSet Maxi 7.3-170-3p	7,31 kWp	43	7 x 4	5 x 3	1 x Kostal PIKO 7.0	5 (+) & 5 (-)	9 + 9	SET22016
PowerSet Maxi 7.5-170-3p	7,48 kWp	44	7 x 2	6 x 5	1 x Kostal PIKO 7.0	5 (+) & 5 (-)	9 + 9	SET22017
PowerSet Maxi 7.7-170-3p	7,65 kWp	45	7 x 3	6 x 4	1 x Kostal PIKO 7.0	5 (+) & 5 (-)	9 + 9	SET22018
PowerSet Maxi 7.8-170-3p	7,82 kWp	46	7 x 4	6 x 3	1 x Kostal PIKO 7.0	5 (+) & 5 (-)	9 + 9	SET22019
PowerSet Maxi 8.0-170-3p	7,99 kWp	47	7 x 5	6 x 2	1 x Kostal PIKO 7.0	5 (+) & 5 (-)	9 + 9	SET22020
PowerSet Maxi 8.2-170-3p	8,16 kWp	48	6 x 4	6 x 4	1 x Kostal PIKO 7.0	6 (+) & 6 (-)	12 + 12	SET22021
PowerSet Maxi 8.3-170-3p	8,33 kWp	49	7 x 4	7 x 3	1 x Kostal PIKO 7.0	5 (+) & 5 (-)	9 + 9	SET22022
PowerSet Maxi 8.5-170-3p	8,50 kWp	50	6 x 3	8 x 4 1)	1 x Kostal PIKO 8.5	5 (+) & 5 (-)	9 + 9	SET22023
PowerSet Maxi 8.7-170-3p	8,67 kWp	51	7 x 3	6 x 5	1 x Kostal PIKO 8.5	6 (+) & 6 (-)	12 + 12	SET22024
PowerSet Maxi 8.8-170-3p	8,84 kWp	52	7 x 4	6 x 4	1 x Kostal PIKO 8.5	6 (+) & 6 (-)	12 + 12	SET22025
PowerSet Maxi 9.0-170-3p	9,01 kWp	53	7 x 5	6 x 3	1 x Kostal PIKO 8.5	6 (+) & 6 (-)	12 + 12	SET22026
PowerSet Maxi 9.2-170-3p	9,18 kWp	54	6 x 5	6 x 4	1 x Kostal PIKO 8.5	7 (+) & 7 (-)	12 + 12	SET22027
PowerSet Maxi 9.4-170-3p	9,35 kWp	55	7 x 5	5 x 4 2)	1 x Kostal PIKO 8.5	7 (+) & 7 (-)	12 + 12	SET22028
PowerSet Maxi 9.5-170-3p	9,52 kWp	56	7 x 4	7 x 4	1 x Kostal PIKO 8.5	6 (+) & 6 (-)	12 + 12	SET22029
PowerSet Maxi 9.7-170-3p	9,69 kWp	57	5 x 5 2)	8 x 4 1)	1 x Kostal PIKO 8.5	7 (+) & 7 (-)	12 + 12	SET22030
PowerSet Maxi 9.9-170-3p	9,86 kWp	58	7 x 4	6 x 5	1 x Kostal PIKO 8.5	7 (+) & 7 (-)	12 + 12	SET22031

Tabella 2: collegamenti raccomandati per PowerSet Maxi

- 1) Nel dimensionamento con 8 moduli in serie, assicurarsi di non superare la tensione massima del sistema pari a 1.000 V, in particolare a basse temperature. Ciò richiede un calcolo specifico della tensione per la propria regione, da effettuarsi in base ai dati tecnici del modulo SF170-S tenendo conto dei dati meteorologici regionali.
- 2) Nel dimensionamento di PIKO 8.5 con 5 moduli in serie, la tensione MPP della stringa può essere inferiore al campo di MPP dell'inverter, il che può portare a una riduzione della resa.

### 4. Altre possibilità di collegamento

Se la pianificazione richiede una variante diversa rispetto alle configurazioni PowerSets Maxi riportate nella tabella 2, in questo capitolo sono indicate le possibili alternative. È possibile che si renda necessaria una quantità di cavi a Y superiore a quella della fornitura standard.

Le tabelle che seguono illustrano tutte le varianti di collegamento ammesse per PowerSet Maxi.

La tabella 3 e la tabella 4 mostrano tutte le varianti di collegamento ammesse per PIKO 4.6, PIKO 5.5, PIKO 7.0 e PIKO 8.5 in combinazione con il numero di moduli SF170-S e la potenza CC risultante.

La tabella 5 indica quanti cavi a Y sono necessari per ogni variante di collegamento. Qualora il collegamento alternativo dovesse richiedere un numero di cavi a Y superiore a quello fornito di serie da Solar Frontier, è possibile ordinare gli ulteriori cavi a Y presso Solar Frontier.

#### Esempio:

il PowerSet Maxi 5.4-170-3p (SET22005) con 32 moduli comprende di serie tre coppie di cavi a Y per un collegamento con 7 moduli in serie x 2 stringhe per l'ingresso MPP 1 e 6 x 3 per l'ingresso MPP 2.

Tuttavia è possibile realizzare 32 moduli anche con 6 moduli x 2 stringhe nell'ingresso MPP 1 e 5 moduli per 4 stringhe nell'ingresso MPP 2. Questo collegamento richiede almeno quattro coppie di cavi a Y. Ciò significa che, per poter realizzare questa disposizione con PowerSet Maxi 5.4-170-3p (SET22005), bisogna ordinare un'altra coppia di cavi a Y.

Il colore delle celle delle tabelle rimanda agli inverter raccomandati con il seguente codice:

PIKO 4.6	PIKO 5.5	PIKO 7.0	PIKO 8.5
----------	----------	----------	----------

Numero di moduli in serie			5	5	5	5	5	6	6	6	6	6	7	7	7	7	7		
Numero di moduli in serie	Numero di stringhe ingresso MPP 1		1	2	3	4	5	1	2	3	4	5	1	2	3	4	5		
	Numero di stringhe ingresso MPP 2	Numero di moduli per ogni ingresso MPP	5	10	15	20	25	6	12	18	24	30	7	14	21	28	35		
5	1	5					30					29	35				33	40	
5	2	10					35				28	34	40				31	38	45
5	3	15				30	35	40			33	39	45		29		36	43	50
5	4	20		30	35	40	45		32		38	44	50		34	41	48	55	
5	5	25	30	35	40	45	50	31	37	43	49	55		32	39	46	53		
6	1	6					31					30	36					34	41
6	2	12					32	37			30	36	42				33	40	47
6	3	18		28	33	38	43		30	36	42	48		32	39	46	53		
6	4	24	29	34	39	44	49	30	36	42	48	54	31	38	45	52			
6	5	30	35	40	45	50	55	36	42	48	54	60	37	44	51	58			
7	1	7					32					31	37				28	35	42
7	2	14			29	34	39			32	38	44		28	35	42	49	56	
7	3	21		31	36	41	46		33	39	45	51	28	35	42	49	56		
7	4	28	33	38	43	48	53	34	40	46	52	58	35	42	49	56			
7	5	35	40	45	50	55		41	47	53			42	49	56				

Tabella 3: possibilità di collegamento per PIKO 4.6, PIKO 5.5, PIKO 7.0 e PIKO 8.5 - numero di moduli SF170-S

Numero di moduli in serie			5	5	5	5	5	6	6	6	6	6	7	7	7	7	7	
Numero di moduli in serie	Numero di stringhe ingresso MPP 1		1	2	3	4	5	1	2	3	4	5	1	2	3	4	5	
	Numero di stringhe ingresso MPP 2	Potenza per ogni ingresso MPP	850	1700	2550	3400	4250	1020	2040	3060	4080	5100	1190	2380	3570	4760	5950	
5	1	850					5.100					4.930	5.950				5.610	6.800
5	2	1700					5.100				4.760	5.780	6.800			5.270	6.460	7.650
5	3	2550				5.100	5.950	6.800			5.610	6.630	7.650		4.930	6.120	7.310	8.500
5	4	3400		5.100	5.950	6.800	7.650		5.440	6.460	7.480	8.500		5.780	6.970	8.160	9.350	
5	5	4250	5.100	5.950	6.800	7.650	8.500	5.270	6.290	7.310	8.330	9.350	5.440	6.630	7.820	9.010		
6	1	1020					5.270					5.100	6.120				5.780	6.970
6	2	2040					5.440	6.290			5.100	6.120	7.140			5.610	6.800	7.990
6	3	3060		4.760	5.610	6.460	7.310		5.100	6.120	7.140	8.160		5.440	6.630	7.820	9.010	
6	4	4080	4.930	5.780	6.630	7.480	8.330	5.100	6.120	7.140	8.160	9.180	5.270	6.460	7.650	8.840		
6	5	5100	5.950	6.800	7.650	8.500	9.350	6.120	7.140	8.160	9.180		6.290	7.480	8.670	9.860		
7	1	1190					5.440					5.270	6.290			4.760	5.950	7.140
7	2	2380			4.930	5.780	6.630			5.440	6.460	7.480		4.760	5.950	7.140	8.330	9.520
7	3	3570		5.270	6.120	6.970	7.820		5.610	6.630	7.650	8.670	4.760	5.950	7.140	8.330	9.520	
7	4	4760	5.610	6.460	7.310	8.160	9.010	5.780	6.800	7.820	8.840	9.860	5.950	7.140	8.330	9.520		
7	5	5950	6.800	7.650	8.500	9.350		6.970	7.990	9.010			7.140	8.330	9.520			

Tabella 4: possibilità di collegamento per PIKO 4.6, PIKO 5.5, PIKO 7.0 e PIKO 8.5 - potenza CC con i moduli SF170-S

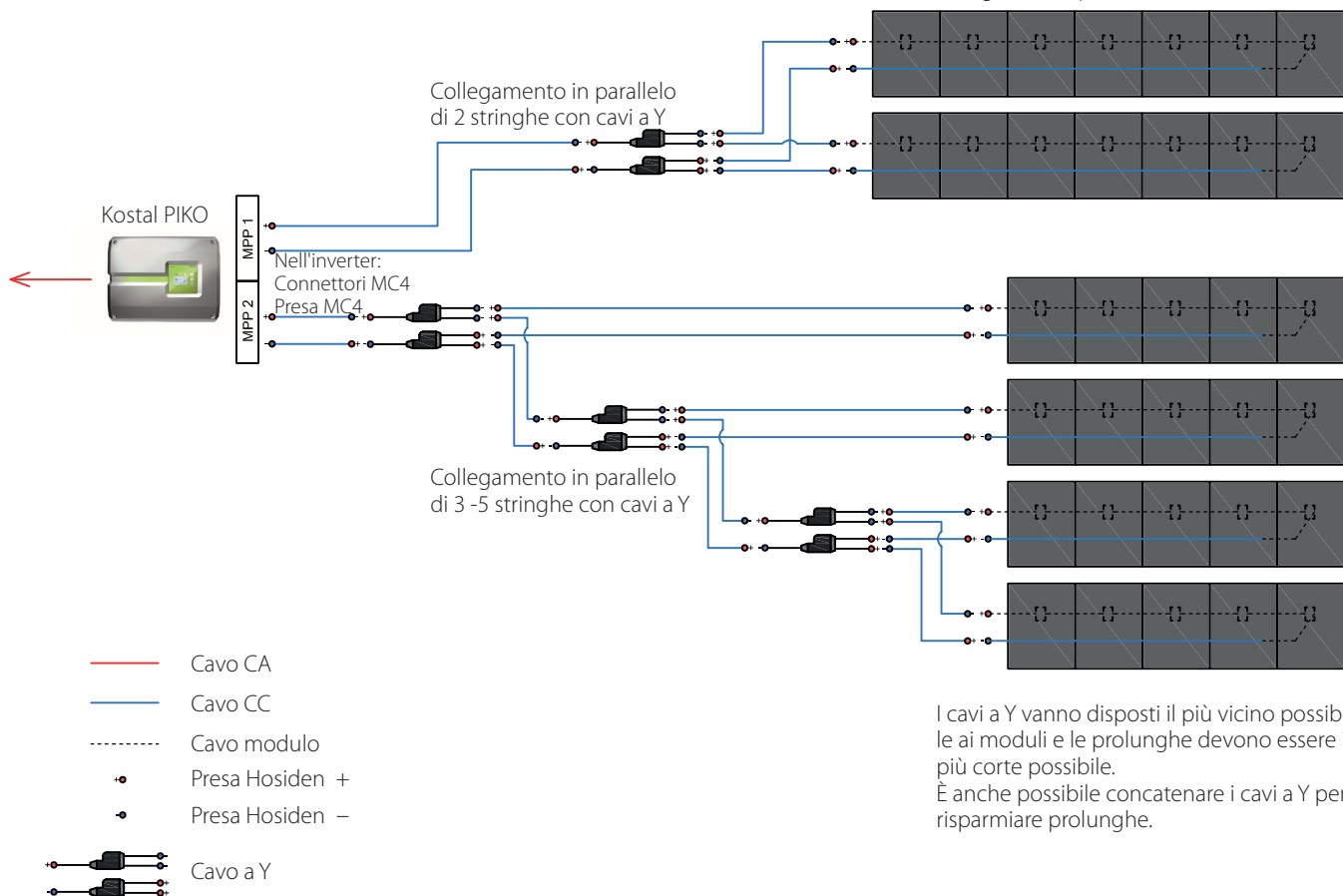
Numero di moduli in serie			5	5	5	5	5	6	6	6	6	6	7	7	7	7	7		
Numero di moduli in serie	Numero di stringhe ingresso MPP 1		1	2	3	4	5	1	2	3	4	5	1	2	3	4	5		
	Numero di stringhe ingresso MPP 2	Coppie di cavi a y per ogni ingresso MPP	0	1	2	3	4	0	1	2	3	4	0	1	2	3	4		
5	1	0					4					3	4				3	4	
5	2	1					4				3	4	5			3	4	5	
5	3	2			4	5	6				4	5	6		3	4	5	6	
5	4	3		4	5	6	7		4		5	6	7		4	5	6	7	
5	5	4	4	5	6	7	8	4	5	6	7	8	4	5	6	7			
6	1	0					4					3	4				3	4	
6	2	1					4	5			3	4	5			3	4	5	
6	3	2		3	4	5	6		3	4	5	6	7		3	4	5	6	
6	4	3	3	4	5	6	7	3	4	5	6	7	8	3	4	5	6		
6	5	4	4	5	6	7	8	4	5	6	7	8		4	5	6	7		
7	1	0					4					3	4				2	3	4
7	2	1			3	4	5				3	4	5		2	3	4	5	
7	3	2		3	4	5	6		3	4	5	6	7	2	3	4	5	6	
7	4	3	3	4	5	6	7	3	4	5	6	7	8	3	4	5	6		
7	5	4	4	5	6	7		4	5	6			4	5	6				

Tabella 5: possibilità di collegamento per PIKO 4.6, PIKO 5.5, PIKO 7.0 e PIKO 8.5 - numero di cavi a Y necessari

## 5. Installazione delle stringhe con cavi a Y, connettori e prolunga

Lo schema seguente illustra un esempio di collegamento di più stringhe con i cavi a Y e i connettori forniti.

**Collegamento i serie di 5 - 7 moduli**  
vedere la guida alla pianificazione



I cavi a Y vanno disposti il più vicino possibile ai moduli e le prolunghe devono essere il più corte possibile. È anche possibile concatenare i cavi a Y per risparmiare prolunghe.

ITALIANO

## 6. Esclusione di responsabilità

La presente guida è intesa unicamente per fornire informazioni generali ai tecnici installatori. Non sostituisce in alcun momento le istruzioni per "Installazione ed uso" fornite dai produttori dei componenti ed aggiornate volta per volta. Queste istruzioni per "Installazione ed uso" hanno sempre la precedenza su questa guida.

Solar Frontier ("SF") declina qualsiasi responsabilità sulle richieste di garanzia per danni o malfunzionamenti riconducibili ad un utilizzo improprio dei componenti del PowerSet Maxi. La responsabilità di SF si limita, nei limiti di quanto legalmente ammissibile, alle condizioni di volta in volta stabilite dal contratto, e in particolare ai diritti di garanzia.

La presente guida non ha alcuna pretesa di completezza e correttezza. SF si riserva il diritto di eventuali adattamenti, modifiche o aggiornamenti. La presente guida è di proprietà esclusiva di SF. Non è consentito riprodurla né diffonderla altrimenti senza l'autorizzazione preliminare di SF.

# Inhoudsopgave

<b>1. Inleiding</b>	<b>14</b>
<b>2. Algemene instructies</b>	<b>14</b>
2.1 Module	14
2.2 Omvormer	14
2.3 Kabel en stekker	14
<b>3. Overzicht van aanbevolen schakelingen voor PowerSet Maxi</b>	<b>15</b>
<b>4. Meer schakelingsmogelijkheden</b>	<b>15</b>
<b>5. Installatie van strings met Y-kabel, stekkers en verlengstukken</b>	<b>17</b>
<b>6. Uitsluiting van aansprakelijkheid</b>	<b>17</b>

## 1. Inleiding

Deze planningsgids is een hulp bij het beleggen van uw Kostal PIKO-omvormer met de SF170-S PowerModule. Om ook complexe dakvormen te kunnen beleggen en flexibel te blijven, neemt u de volgende instructies in acht. Voor de planning worden de belangrijkste technische gegevens van de omvormer, de module en de kabel beschreven. Ook worden alle toegelaten configuraties opgesomd en wordt uitgelegd hoe u de Y-kabel en de stekker correct kunt gebruiken.

## 2. Algemene instructies

In dit punt worden de beperkende technische specificaties van de onderdelen beschreven. Ze hebben betrekking op de module SF170-S en de omvormers PIKO 4.6, PIKO 5.5, PIKO 7.0 en PIKO 8.5 van Kostal.

### 2.1 Module

Tijdens het schakelen van de modules moet op het aantal modules per string (serieel) en de parallel geschakelde strings gelet worden. De modules per string bepalen de spanning van alle strings. Deze spanning moet onder werkomstandigheden de minimale-MPP-spanning van de gekozen omvormer kunnen bereiken. De open spanning mag in principe de 1000V systeemspanning niet overschrijden.

De parallele strings aan een MPP-ingang moeten altijd hetzelfde aantal aan de module in serie hebben. Een verschillend aantal modules in serie leidt tot verschillende stringspanningen. In een parallele schakeling van twee (of meer) strings, wordt slechts een spanning ingesteld. Daaruit volgt dat beide strings (met elk een van elkaar afwijkend aantal aan de module in serie) niet in hun optimale toestand gebruikt worden en zelfs blijvend beschadigd kunnen worden door ongewenste tegenstromen.

### 2.2 Omvormer

De omvormers beschikken over twee afzonderlijk werkende MPP-ingangen, die asymmetrisch belegd kunnen worden. De begrensende parameters zijn de minimale en maximale waarden voor stroom en spanning. Deze worden in de volgende tabel 1 voor de gebruikte omvormer vermeld:

		<b>PIKO 4.6</b>	<b>PIKO 5.5</b>	<b>PIKO 7.0</b>	<b>PIKO 8.5</b>
Omvormer toegekend vermogen (AC)	$P_{AC}$	4,6 kW	5,5 kW	7,0 kW	8,5 kW
Minimale MPP-spanning voor DC-nominaal vermogen in twee-tracker-modus ( $U_{MPPmin}$ )	$U_{MPPmin}$	265 V	265 V	330 V	400 V
Maximale MPP-spanning	$U_{MPPmax}$		800 V		
Maximale ingangsspanning	$U_{DCmax}$		1000 V		
Maximale ingangsstroom per MPP-ingang	$I_{DCmax}$		11 A		

Tabel 1 PIKO-omvormer

Uit de technische gegevens overeenkomstig tabel 1 en die van de SF170-S-module kan het volgende worden afgeleid:

- Voor PIKO 4.6 en PIKO 5.5 zijn minstens 4 modules in serie nodig om de minimale MPP-spanning te bereiken.
- Voor PIKO 7.0 zijn minstens 5 modules in serie nodig om de minimale MPP-spanning te bereiken.
- Voor PIKO 8.5 zijn minstens 6 modules in serie nodig om de minimale MPP-spanning te bereiken.
- Als bovengrens geldt 7 modules per string, omdat anders de 1000 V-grens overschreden kan worden. In veel gebieden mogen er 8 modules per string gebruikt worden, raadpleeg vooraf Solar Frontier hierover.
- Maximaal mogen er 5 strings parallel geschakeld worden, omdat anders de maximale stroom van 11 A per MPP-ingang overschreden kan worden.

Daarnaast wordt bovendien aanbevolen de omvormer maximaal met een DC/AC- vermogenverhouding van 1,20 te gebruiken, om verliezen door vermogenbegrenzing zoveel mogelijk te beperken. Tegelijkertijd moeten de omvormers met voldoende DC-vermogen bezet worden, om de installatie in met zo groot mogelijk rendement van de PIKO-omvormer te gebruiken. Zie hiervoor de rendementcurve van de PIKO-omvormer op de desbetreffende gegevensbladen.

### 2.3 Kabel en stekker

De module en de Y-kabel beschikken over stekkers van het bedrijf Hosiden (MC-4 insteekbaar). Voor kabelverlengstukken aan de module en Y-kabel moeten de door Solar Frontier in de PowerSet Maxi meegeleverde Hosiden-stekkers gebruikt worden. Zo wordt de grootste compatibiliteit in het systeem gegarandeerd. De PIKO-omvormers zijn met stekkers van het bedrijf Multi-Contact uitgerust, en bij de leveromvang zit een DC-stekkerpaar van Multi-Contact per DC-ingang.

De kabeldoorsnede bedraagt aan de Y-kabel 6 mm<sup>2</sup>, aan de module 4 mm<sup>2</sup>. Voor de verlengstukken wordt een doorsnede tussen 4 mm<sup>2</sup> en 6 mm<sup>2</sup> aanbevolen. Een voorbeeld van een verkabeling vindt u in hoofdstuk 5.



Er moet voor gezorgd worden dat de gebruikte krimpwerktuigen de correcte inzetstukken hebben, en dat deze door de fabrikant beschikbaar gemaakt zijn, om een genormaliseerde druk aan de Multicontact- en Hosiden-stekker te garanderen. Krimpwerktuigen van Hosiden zijn bij Solar Frontier verkrijgbaar.

### 3. Overzicht van aanbevolen schakelingen voor PowerSet Maxi

In de volgende tabel 2 worden de door Solar Frontier aanbevolen schakelingen voor de PowerSet Maxi weergegeven. De tabel toont uit welke componenten deze PowerSets bestaan. Solar Frontier levert de PowerSets standaard met de hieronder vermelde componenten.

Andere schakelingsvarianten zijn mogelijk, en worden in hoofdstuk 4 vermeld. Deze verlengen echter een andere bezetting van de MPP-ingangen en een groter aantal aan de Y-kabels.

PowerSet	Vermogen	Module (SF170-S)	MPP-ingang 1 (Module in serie x Module parallel)	MPP-ingang 2 (Module in serie x Module parallel)	Omvormer	Y-kabel	Stekker + Bus	Artikelnummer
PowerSet Maxi 4.8-170-3p	4,76 kWp	28	7 x 2	7 x 2	1 x Kostal PIKO 4.6	2 (+) & 2 (-)	6 + 6	SET22001
PowerSet Maxi 4.9-170-3p	4,93 kWp	29	7 x 2	5 x 3	1 x Kostal PIKO 4.6	3 (+) & 3(-)	6 + 6	SET22002
PowerSet Maxi 5.1-170-3p	5,10 kWp	30	6 x 3	6 x 2	1 x Kostal PIKO 4.6	3 (+) & 3(-)	6 + 6	SET22003
PowerSet Maxi 5.3-170-3p	5,27 kWp	31	7 x 1	6 x 4	1 x Kostal PIKO 4.6	3 (+) & 3(-)	6 + 6	SET22004
PowerSet Maxi 5.4-170-3p	5,44 kWp	32	7 x 2	6 x 3	1 x Kostal PIKO 4.6	3 (+) & 3(-)	6 + 6	SET22005
PowerSet Maxi 5.6-170-3p	5,61 kWp	33	7 x 3	6 x 2	1 x Kostal PIKO 5.5	3 (+) & 3(-)	6 + 6	SET22006
PowerSet Maxi 5.8-170-3p	5,78 kWp	34	7 x 4	6 x 1	1 x Kostal PIKO 5.5	3 (+) & 3(-)	6 + 6	SET22007
PowerSet Maxi 6.0-170-3p	5,95 kWp	35	7 x 3	7 x 2	1 x Kostal PIKO 5.5	3 (+) & 3(-)	6 + 6	SET22008
PowerSet Maxi 6.1-170-3p	6,12 kWp	36	6 x 4	6 x 2	1 x Kostal PIKO 5.5	4 (+) & 4(-)	6 + 6	SET22009
PowerSet Maxi 6.3-170-3p	6,29 kWp	37	7 x 1	6 x 5	1 x Kostal PIKO 5.5	4 (+) & 4(-)	6 + 6	SET22010
PowerSet Maxi 6.5-170-3p	6,46 kWp	38	7 x 2	6 x 4	1 x Kostal PIKO 5.5	4 (+) & 4(-)	6 + 6	SET22011
PowerSet Maxi 6.6-170-3p	6,63 kWp	39	7 x 3	6 x 3	1 x Kostal PIKO 5.5	4 (+) & 4(-)	6 + 6	SET22012
PowerSet Maxi 6.8-170-3p	6,80 kWp	40	7 x 4	6 x 2	1 x Kostal PIKO 5.5	4 (+) & 4(-)	6 + 6	SET22013
PowerSet Maxi 7.0-170-3p	6,97 kWp	41	7 x 5	6 x 1	1 x Kostal PIKO 7.0	4 (+) & 4(-)	6 + 6	SET22014
PowerSet Maxi 7.1-170-3p	7,14 kWp	42	7 x 3	7 x 3	1 x Kostal PIKO 7.0	4 (+) & 4(-)	6 + 6	SET22015
PowerSet Maxi 7.3-170-3p	7,31 kWp	43	7 x 4	5 x 3	1 x Kostal PIKO 7.0	5 (+) & 5(-)	9 + 9	SET22016
PowerSet Maxi 7.5-170-3p	7,48 kWp	44	7 x 2	6 x 5	1 x Kostal PIKO 7.0	5 (+) & 5(-)	9 + 9	SET22017
PowerSet Maxi 7.7-170-3p	7,65 kWp	45	7 x 3	6 x 4	1 x Kostal PIKO 7.0	5 (+) & 5(-)	9 + 9	SET22018
PowerSet Maxi 7.8-170-3p	7,82 kWp	46	7 x 4	6 x 3	1 x Kostal PIKO 7.0	5 (+) & 5(-)	9 + 9	SET22019
PowerSet Maxi 8.0-170-3p	7,99 kWp	47	7 x 5	6 x 2	1 x Kostal PIKO 7.0	5 (+) & 5(-)	9 + 9	SET22020
PowerSet Maxi 8.2-170-3p	8,16 kWp	48	6 x 4	6 x 4	1 x Kostal PIKO 7.0	6 (+) & 6(-)	12 + 12	SET22021
PowerSet Maxi 8.3-170-3p	8,33 kWp	49	7 x 4	7 x 3	1 x Kostal PIKO 7.0	5 (+) & 5(-)	9 + 9	SET22022
PowerSet Maxi 8.5-170-3p	8,50 kWp	50	6 x 3	8 x 4 1)	1 x Kostal PIKO 8.5	5 (+) & 5(-)	9 + 9	SET22023
PowerSet Maxi 8.7-170-3p	8,67 kWp	51	7 x 3	6 x 5	1 x Kostal PIKO 8.5	6 (+) & 6(-)	12 + 12	SET22024
PowerSet Maxi 8.8-170-3p	8,84 kWp	52	7 x 4	6 x 4	1 x Kostal PIKO 8.5	6 (+) & 6(-)	12 + 12	SET22025
PowerSet Maxi 9.0-170-3p	9,01 kWp	53	7 x 5	6 x 3	1 x Kostal PIKO 8.5	6 (+) & 6(-)	12 + 12	SET22026
PowerSet Maxi 9.2-170-3p	9,18 kWp	54	6 x 5	6 x 4	1 x Kostal PIKO 8.5	7 (+) & 7 (-)	12 + 12	SET22027
PowerSet Maxi 9.4-170-3p	9,35 kWp	55	7 x 5	5 x 4 2)	1 x Kostal PIKO 8.5	7 (+) & 7 (-)	12 + 12	SET22028
PowerSet Maxi 9.5-170-3p	9,52 kWp	56	7 x 4	7 x 4	1 x Kostal PIKO 8.5	6 (+) & 6(-)	12 + 12	SET22029
PowerSet Maxi 9.7-170-3p	9,69 kWp	57	5 x 5 2)	8 x 4 1)	1 x Kostal PIKO 8.5	7 (+) & 7 (-)	12 + 12	SET22030
PowerSet Maxi 9.9-170-3p	9,86 kWp	58	7 x 4	6 x 5	1 x Kostal PIKO 8.5	7 (+) & 7 (-)	12 + 12	SET22031

Tabel 2: Aanbevolen schakelingen voor PowerSet Maxi

- 1) Gelieve bij een constructie met 8 modules in serie op te letten of de maximale systeemspanning van 1000 V vooral bij lage temperaturen niet overschreden wordt. Hiervoor is een specifieke berekening van de spanning van uw gebied nodig aan de hand van de technische gegevens van de module SF170-S met inachtneming van de regionale wetgeving.
- 2) Bij een constructie van PIKO 8.5 met 5 modules in serie kan de MPP-spanning van de strings onder het MPP-bereik van de omvormer liggen, wat tot prestatieverlies kan leiden.

### 4. Meer schakelingsmogelijkheden

Als voor uw planning een andere schakelingsvariant nodig is dan die voor de in tabel 2 weergegeven PowerSets Maxi, dan vindt u in dit hoofdstuk mogelijk alternatieven. Mogelijk hebt u extra Y-kabels nodig, die zich bij de standaard leveromvang bevinden.

In de volgende tabellen staan alle toegelaten schakelingsvarianten voor de PowerSet Maxi.

In tabel 3 en tabel 4 staan alle toegelaten schakelingsmogelijkheden voor PIKO 4.6, PIKO 5.5, PIKO 7.0 en PIKO 8.5 in combinatie met het aantal modules SF170-S en het daaruit resulterende CD-vermogen.

Tabel 5 toont hoeveel Y-kabels er voor elke schakelingsvariant nodig zijn. Als u door een alternatieve schakeling meer Y-kabels nodig hebt dan die wat standaard door Solar Frontier geleverd worden, dan kunt u deze extra Y-kabels bij Solar Frontier bestellen.

#### Voorbeeld:

PowerSet Maxi 5.4-170-3p (SET22005) met 32 modules bevat standaard drie paar Y-kabels voor een schakeling met 7 modules in serie x 2 strings voor MPP-ingang 1 en 6 x 3 voor MPP-ingang 2.

32 modules kunnen echter ook uit 6 modules x 2 strings aan de MPP-ingang 1 en 5 modules x 4 strings aan de MPP-ingang 2 bestaan. Voor deze schakeling zijn minstens vier paar Y-kabels nodig. Dat betekent dat u een extra paar Y-kabels moet bestellen om met de PowerSet Maxi 5.4-170-3p (SET22005) deze bezetting te kunnen uitvoeren.

De kleur van de rijen in de tabel duidt op de aanbevolen omvormer met de volgende code:

PIKO 4.6			PIKO 5.5			PIKO 7.0			PIKO 8.5									
Aantal modules in serie			5	5	5	5	5	6	6	6	6	6	7	7	7	7	7	
Aantal modules in serie	Aantal strings MPP-ingang 1		1	2	3	4	5	1	2	3	4	5	1	2	3	4	5	
	Aantal strings MPP-ingang 2	Aantal modules per MPP-ingang	5	10	15	20	25	6	12	18	24	30	7	14	21	28	35	
5	1	5					30				29	35					33	40
5	2	10				30	35			28	34	40			31	38	45	
5	3	15			30	35	40			33	39	45		29	36	43	50	
5	4	20		30	35	40	45		32	38	44	50		34	41	48	55	
5	5	25	30	35	40	45	50	31	37	43	49	55	32	39	46	53		
6	1	6					31				30	36					34	41
6	2	12				32	37			30	36	42			33	40	47	
6	3	18		28	33	38	43		30	36	42	48		32	39	46	53	
6	4	24	29	34	39	44	49	30	36	42	48	54	31	38	45	52		
6	5	30	35	40	45	50	55	36	42	48	54		37	44	51	58		
7	1	7					32				31	37				28	35	42
7	2	14			29	34	39			32	38	44		28	35	42	49	
7	3	21		31	36	41	46		33	39	45	51	28	35	42	49	56	
7	4	28	33	38	43	48	53	34	40	46	52	58	35	42	49	56		
7	5	35	40	45	50	55		41	47	53			42	49	56			

Tabel 2: Schakelmogelijkheden voor PIKO 4.6, PIKO 5.5, PIKO 7.0 en PIKO 8.5 - Aantal modules SF170-S

Aantal modules in serie			5	5	5	5	5	6	6	6	6	6	7	7	7	7	7	
Aantal modules in serie	Aantal strings MPP-ingang 1		1	2	3	4	5	1	2	3	4	5	1	2	3	4	5	
	Aantal strings MPP-ingang 2	Vermogen per MPP-ingang	850	1700	2550	3400	4250	1020	2040	3060	4080	5100	1190	2380	3570	4760	5950	
5	1	850					5.100				4.930	5.950					5.610	6.800
5	2	1700				5.100	5.950			4.760	5.780	6.800			5.270	6.460	7.650	
5	3	2550			5.100	5.950	6.800			5.610	6.630	7.650		4.930	6.120	7.310	8.500	
5	4	3400		5.100	5.950	6.800	7.650		5.440	6.460	7.480	8.500		5.780	6.970	8.160	9.350	
5	5	4250	5.100	5.950	6.800	7.650	8.500	5.270	6.290	7.310	8.330	9.350	5.440	6.630	7.820	9.010		
6	1	1020					5.270				5.100	6.120					5.780	6.970
6	2	2040				5.440	6.290			5.100	6.120	7.140			5.610	6.800	7.990	
6	3	3060		4.760	5.610	6.460	7.310		5.100	6.120	7.140	8.160		5.440	6.630	7.820	9.010	
6	4	4080	4.930	5.780	6.630	7.480	8.330	5.100	6.120	7.140	8.160	9.180	5.270	6.460	7.650	8.840		
6	5	5100	5.950	6.800	7.650	8.500	9.350	6.120	7.140	8.160	9.180		6.290	7.480	8.670	9.860		
7	1	1190					5.440				5.270	6.290				4.760	5.950	7.140
7	2	2380			4.930	5.780	6.630			5.440	6.460	7.480		4.760	5.950	7.140	8.330	
7	3	3570		5.270	6.120	6.970	7.820		5.610	6.630	7.650	8.670	4.760	5.950	7.140	8.330	9.520	
7	4	4760	5.610	6.460	7.310	8.160	9.010	5.780	6.800	7.820	8.840	9.860	5.950	7.140	8.330	9.520		
7	5	5950	6.800	7.650	8.500	9.350		6.970	7.990	9.010			7.140	8.330	9.520			

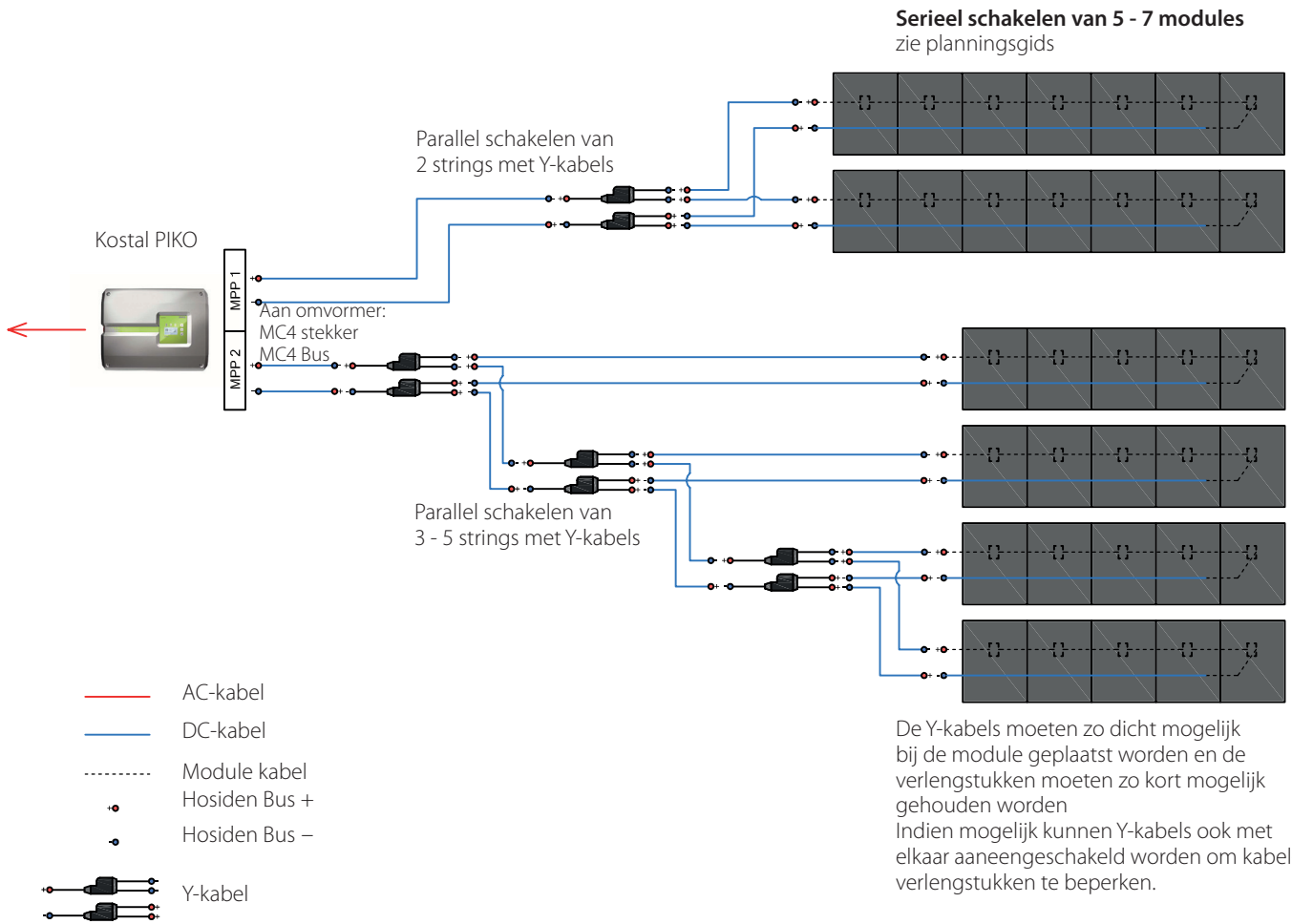
Tabel 4: Schakelingsmogelijkheden voor PIKO 4.6, PIKO 5.5, PIKO 7.0 en PIKO 8.5 – DC-vermogen met SF170-S-modules

Aantal modules in serie			5	5	5	5	5	6	6	6	6	6	7	7	7	7	7	
Aantal modules in serie	Aantal strings MPP-ingang 1		1	2	3	4	5	1	2	3	4	5	1	2	3	4	5	
	Aantal strings MPP-ingang 2	Aantal paar Y-kabels per MPP-ingang	0	1	2	3	4	0	1	2	3	4	0	1	2	3	4	
5	1	0					4				3	4					3	4
5	2	1				4	5			3	4	5			3	4	5	
5	3	2			4	5	6			4	5	6		3	4	5	6	
5	4	3		4	5	6	7		4	5	6	7		4	5	6	7	
5	5	4	4	5	6	7	8	4	5	6	7	8	4	5	6	7		
6	1	0					4				3	4					3	4
6	2	1				4	5			3	4	5			3	4	5	
6	3	2		3	4	5	6		3	4	5	6		3	4	5	6	
6	4	3	3	4	5	6	7	3	4	5	6	7	3	4	5	6		
6	5	4	4	5	6	7	8	4	5	6	7		4	5	6	7		
7	1	0					4				3	4				2	3	4
7	2	1			3	4	5			3	4	5		2	3	4	5	
7	3	2		3	4	5	6		3	4	5	6	2	3	4	5	6	
7	4	3	3	4	5	6	7	3	4	5	6	7	3	4	5	6		
7	5	4	4	5	6	7		4	5	6			4	5	6			

Tabel 5: Schakelmogelijkheden voor PIKO 4.6, PIKO 5.5, PIKO 7.0 en PIKO 8.5 - Aantal benodigde Y-kabels

## 5. Installatie van strings met Y-kabel, stekkers en verlengstukken

De volgende tekening toont een voorbeeld van hoe meerdere strings met de meegeleverde Y-kabels en stekkers verbonden kunnen worden.



## 6. Uitsluiting van aansprakelijkheid

Deze gids dient uitsluitend voor algemene informatie voor de installateurs. Deze vervangt in geen enkel geval de al geldende installatie- en bedieningshandleiding van de desbetreffende componentenfabrikant. De installatie- en bedieningshandleidingen hebben altijd voorrang op deze bedieningshandleidingen.

Solar Frontier („SF“) neemt op geen enkel moment enige dekkings- en garantieaansprakelijkheid op zich die voortvloeien uit een verkeerd gebruik van de componenten van de PowerSet Maxi. De aansprakelijkheid van SF beperkt zich - voor zover dit wettelijk mogelijk is - tot de desbetreffende contractuele aansprakelijkheidsbeperkingen, en in het bijzonder voor de garantieperiode.

Deze gids geeft geen garantie op volledigheid en correctheid. SF behoudt zich eenzijdig het recht voor enige aanpassingen, wijzigingen of updates uit te voeren. Deze gids is uitsluitend eigendom van SF. Verspreidingen en dergelijke zonder voorafgaande toestemming van SF worden uitgesloten.

#### **Europe**

Solar Frontier Europe GmbH  
Bavariafilmplatz 8  
82031 Grünwald bei München  
Germany

Tel: +49 89 92 86 142 0

#### **Asia (Headquarters)**

Solar Frontier K.K.  
Daiba Frontier Building  
2-3-2 Daiba, Minato-ku  
Tokio 135-8074  
Japan

Tel: +81 3 5531 5626

#### **Middle East**

Solar Frontier K.K.  
Technical & Scientific Office  
Eastern Cement Tower, #306  
King Fahd Road  
Al Khobar  
Kingdom Saudi-Arabia

Tel: +966 3882 0260

#### **North and South America**

Solar Frontier Americas Inc.  
2099 Gateway Place, Suite 310  
San Jose, CA 95110  
USA

Tel: +1 408 916 4150